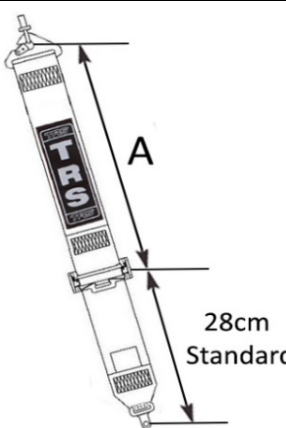
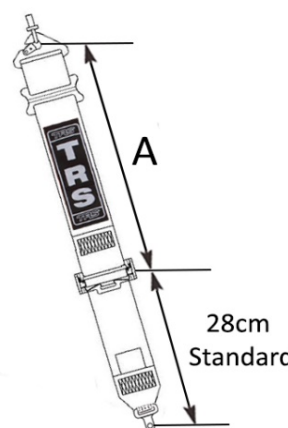


Date:		<b>Harness Specification Sheet</b>
Dealer Name:		
Customer Name:		
Daytime Contact No:		
Email Address:		
Approval Type:	Qty required:	Colour:

Make of Vehicle:	Type:	Year:
------------------	-------	-------

**Shoulder strap measurements "A" should be taken with driver seated in vehicle with harness fastened tight.**  
 TRS Technical Tip: Shoulder measurements "A" under 65cm TRS recommend a Sewn Bearing Point

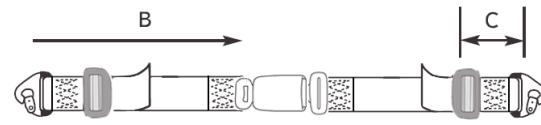
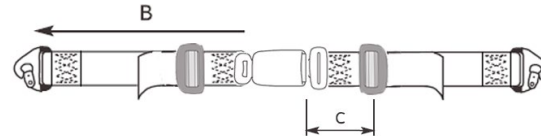
Sewn Bearing Point <input type="checkbox"/>	Threaded Anchor Point with 3 Bar Slide <input type="checkbox"/>	
		<p><b>Length A:        cm</b></p> <p>Measure distance "A" from centre of anchor mounting point to centre of adjuster</p>

**Shoulder Adjuster (Mark appropriate box)**  
 TRS Technical Tip: TRS Recommend the aluminium adjuster for fast and easy adjustment



75mm Aluminium Adjuster



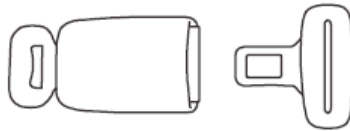
**Lap Straps - Measurements should be taken with the harness fastened tight and adjustment in midway position.**  
 "B" is 65cm as standard from centre of anchor mounting to centre of release buckle.  
 "C" is 12cm as standard from centre of mounting strap to centre of adjuster.

<b>Pull Up</b> (STD Direction) <input type="checkbox"/>		<p><b>Length B:</b> (Overall Length)        <b>cm</b></p> <p><b>Length C:</b> (Adjuster Length)        <b>cm</b></p>
<b>Pull Down</b> (Suited for tight cockpits i.e. Kit Car) <input type="checkbox"/>		<p><b>Length B:</b> (Overall Length)        <b>cm</b></p> <p><b>Length C:</b> (Adjuster Length)        <b>cm</b></p>

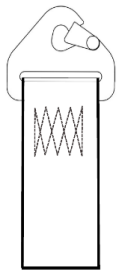
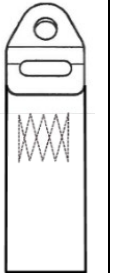
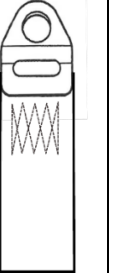
**Lap Adjuster (Mark appropriate box)**  
 TRS Technical Tip: TRS Recommend the aluminium adjuster for fast and easy adjustment

50mm Steel Adjuster <input type="checkbox"/>	50mm Aluminium Adjuster <input type="checkbox"/>
	





**Press Release Buckle Only**  
 Permanently fixed to right hand lap strap (Standard for 4pt road ece harnesses)



**Sewn Anchorages - Mark appropriate boxes to identify requirements**

Sewn Snap Hook	Sewn 11mm Bolt in Plate	Sewn 15mm Bolt in Plate	
			
<input type="checkbox"/>	<input type="checkbox"/>	<input type="checkbox"/>	<b>Shoulder Straps</b>
<input type="checkbox"/>	<input type="checkbox"/>	<input type="checkbox"/>	<b>Lap Straps</b>

**Threaded Anchorages - Mark appropriate boxes to identify requirements**

Snap Hook + 3 Bar Slide	11mm Bolt in Plate + 3 Bar Slide	15mm Bolt in Plate + 3 Bar Slide	Wrap Around	
				
<input type="checkbox"/>	<input type="checkbox"/>	<input type="checkbox"/>	<input type="checkbox"/>	<b>Shoulder Straps</b>
<input type="checkbox"/>	<input type="checkbox"/>	<input type="checkbox"/>	<input type="checkbox"/>	<b>Lap Straps</b>