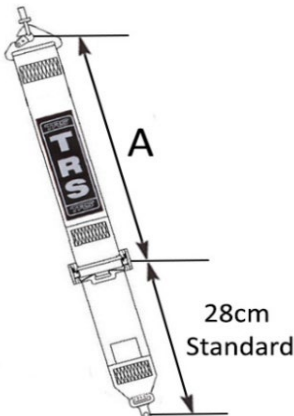
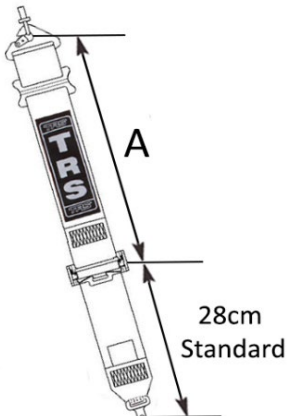




Date:		Harness Specification Sheet
Dealer Name:		
Customer Name:		
Daytime Contact No:		
Email Address:		
Approval Type:	Qty required:	Colour:
Make of Vehicle:	Type:	Year:

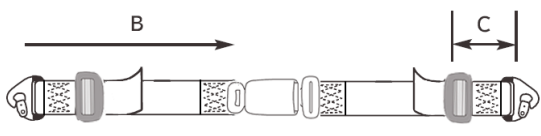
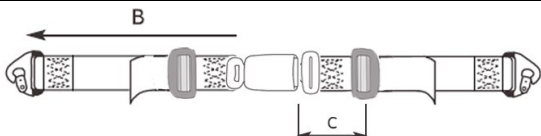
Shoulder strap measurements "A" should be taken with driver seated in vehicle with harness fastened tight.
 TRS Technical Tip: Shoulder measurements "A" under 65cm TRS recommend a Sewn Bearing Point

Sewn Bearing Point <input type="checkbox"/>	Threaded Anchor Point with 3 Bar Slide <input type="checkbox"/>	<p>Length A: cm</p> <p>Measure distance "A" from centre of anchor mounting point to centre of adjuster</p>
		



Shoulder Adjuster (Mark appropriate box)
 TRS Technical Tip: TRS Recommend the aluminium adjuster for fast and easy adjustment

50mm Steel Adjuster <input type="checkbox"/>	50mm Aluminium Adjuster <input type="checkbox"/>
	

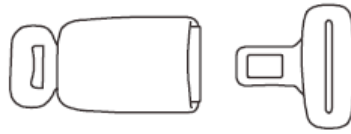
Lap Straps - Measurements should be taken with the harness fastened tight and adjustment in midway position.
 "B" is 65cm as standard from centre of anchor mounting to centre of release buckle.
 "C" is 12cm as standard from centre of mounting strap to centre of adjuster.

Pull Up (STD Direction) <input type="checkbox"/>		<p>Length B: (Overall Length) cm</p> <p>Length C: (Adjuster Length) cm</p>
Pull Down (Suited for tight cockpits i.e. Kit Car) <input type="checkbox"/>		<p>Length B: (Overall Length) cm</p> <p>Length C: (Adjuster Length) cm</p>

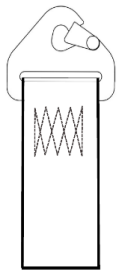
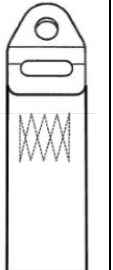
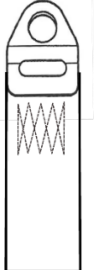
Lap Adjuster (Mark appropriate box)
 TRS Technical Tip: TRS Recommend the aluminium adjuster for fast and easy adjustment

50mm Steel Adjuster <input type="checkbox"/>	50mm Aluminium Adjuster <input type="checkbox"/>
	

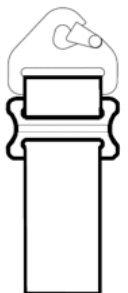



Press Release Buckle Only
 Permanently fixed to right hand lap strap (Standard for 4pt road ece harnesses)



Sewn Anchorages - Mark appropriate boxes to identify requirements

Sewn Snap Hook	Sewn 11mm Bolt in Plate	Sewn 15mm Bolt in Plate	
			
<input type="checkbox"/>	<input type="checkbox"/>	<input type="checkbox"/>	Shoulder Straps
<input type="checkbox"/>	<input type="checkbox"/>	<input type="checkbox"/>	Lap Straps

Threaded Anchorages - Mark appropriate boxes to identify requirements

Snap Hook + 3 Bar Slide	11mm Bolt in Plate + 3 Bar Slide	15mm Bolt in Plate + 3 Bar Slide	Wrap Around	
				
<input type="checkbox"/>	<input type="checkbox"/>	<input type="checkbox"/>	<input type="checkbox"/>	Shoulder Straps
<input type="checkbox"/>	<input type="checkbox"/>	<input type="checkbox"/>	<input type="checkbox"/>	Lap Straps